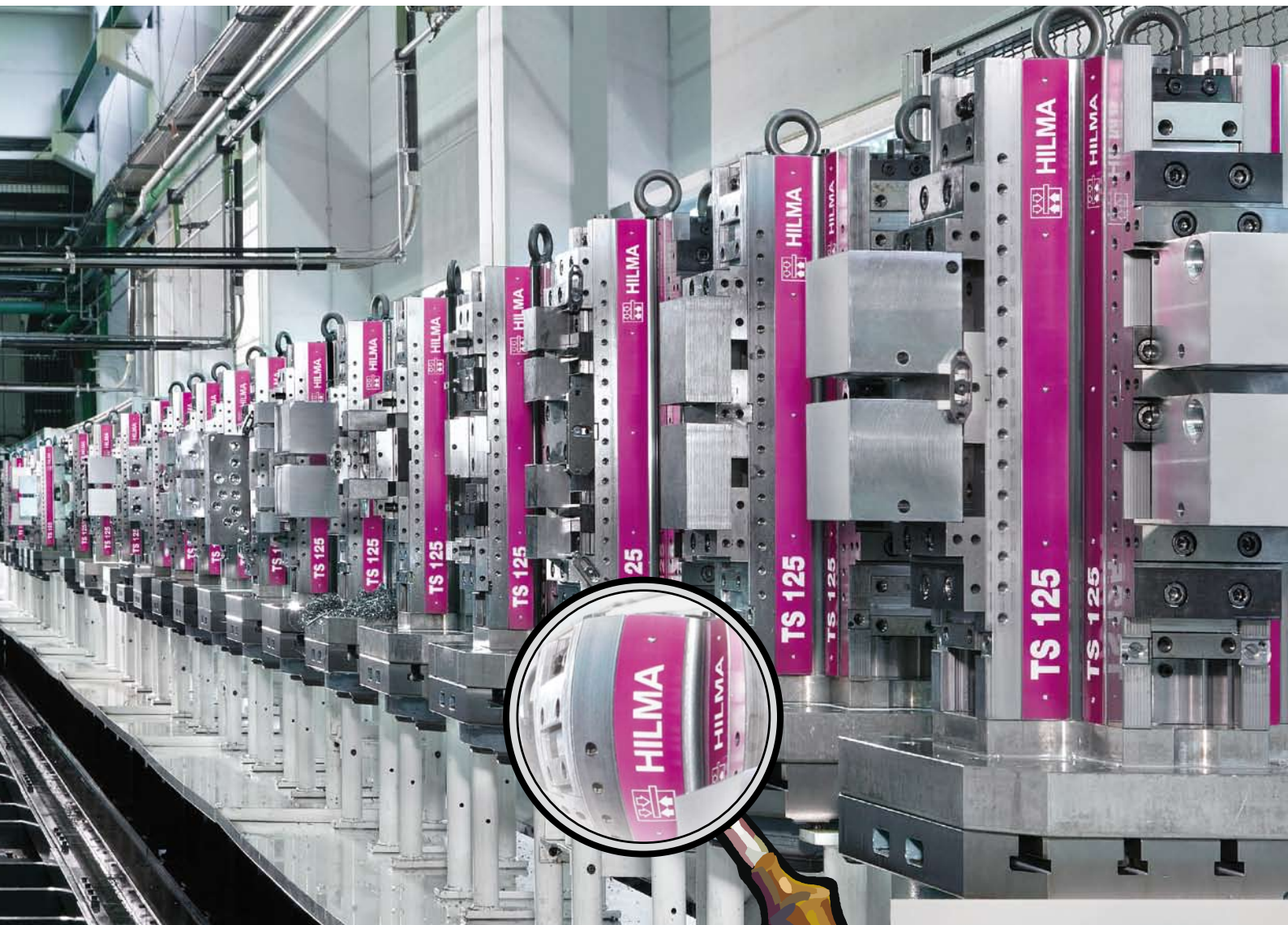


Tower clamping systems



TS 125 used in valve body manufacture

Products in focus

HILMA tower clamping systems are the cost-effective, efficient solution which
May be used for individual production or small and medium-sized batches. This makes our tower



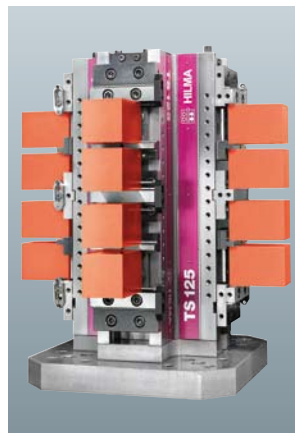
HILMA tower clamping systems are the new standard for flexible production. Take advantage of the ★★★★★ Hilma benefits:

- ★ **Process reliability:** Mechanical clamping, precisely adjustable clamping forces, no loss of clamping force when using grip jaws.
- ★ **User-friendly:** 3rd hand function allows safe successive loading and unloading for all clamping points. Partial automation using pneumatic clamping unit with foot switch (optional extra).
- ★ **Flexibility:** All clamping points can be provided with differently sized workpieces. 4, 8 or 16 clamping points are available.
- ★ **Efficiency:** The high workpiece density reduces the traversing distance from one workpiece to the next to a minimum.
- ★ **Low maintenance:** Efficient protection against swarf by complete shielding of the spindle area by mechanical sealing edges.

Flexibility (almost) without limits ...



Using the standard equipment with reversible step jaws, up to 8 prismatic workpieces can be accommodated.



By simple retrofitting of the clamping tower with floating central jaws, the clamping capacity can be extended from 8 to 16 workpieces, which means doubling of the machine running time.



If the standard fittings are not sufficient: Also in this case, the TS clamping tower is the universal basis. Standard jaws are replaced by workpiece-specific jaws.



Another plus factor: Workpieces with complex clamping and contact surfaces are directly accommodated on workpiece-specific carrier plates. Set-up times are kept to a minimum!

en flexibility and short set-up times are of the essence.
 clamping systems an indispensable module for horizontal machining.



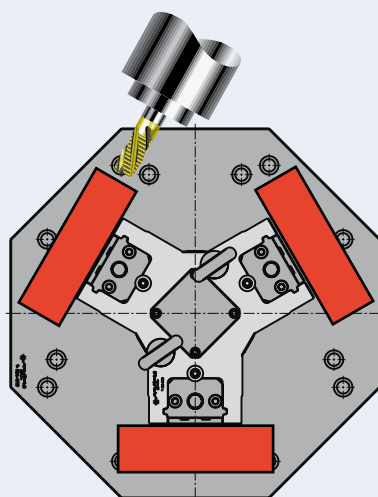
HILMA

NEW to our tower family:
TS TriStar allows, by virtue of its special design,
 almost collision-free tool paths.

The 3 x 120° arrangement of the clamping points gives plenty of room for spindle and tool. This greatly reduces the risk of collision.

Even extra wide workpieces can be machined without any problem when they are clamped centrally.

Fewer tool changes reduce non-productive times.



The degree of freedom for spindle and tool is significantly increased when using the SlimFlex jaw system. Five-side machining of the workpiece is possible.



Optimum access, the use of short standard tools, high stability and reduction of tool changes are just some of the benefits offered by TriStar.

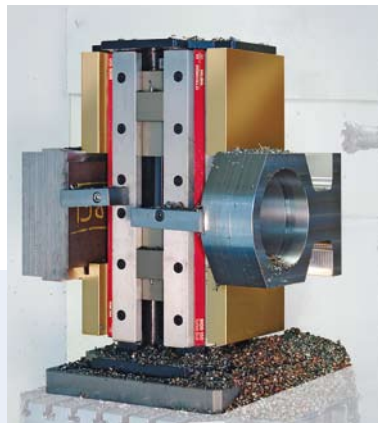
Type	TS 80 TriStar	TS 100 TriStar	TS 125 TriStar
Size	80	100	125
Clamping force / Torque kN/Nm		25/55	40/115
Max. clamping width per clamping point (mm)		1 x 150 - 266 2 x 10 - 156	
Clamping stroke per slide (mm)		44	
L max. (mm)	280	560	
Delivery status	on request	available	on request

Clamping jaws and accessories for the TS Tristar product lines are identical to those for the TS line as per catalogue sheet 5.3360. All fitting dimensions are identical!

Tower clamping systems are one of our specialties.
 Whether universal standard systems or customized designs:
 Please contact us!



T 125 quadruple cube with mechanical-hydraulic power transmission



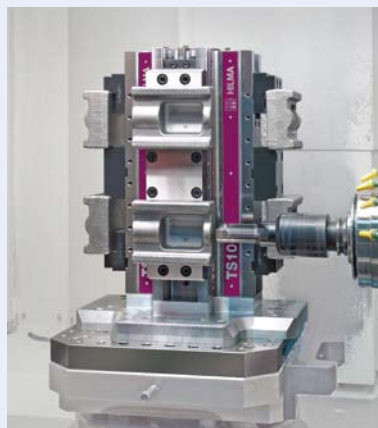
BFS clamping system with Q.I.S. aluminium jaws which can be milled by the customer



VL 125 Varioline with pressure gauge for clamping force display and control



Customer-specific multiple clamping system, extra high clamping forces



TS 125 tower clamping system with reversible step jaws



VL 125 Varioline with floating central jaws for multiple clamping



Clamping tower with zero-point clamping system and change plates with MC 40 Z



DS 125 double clamping system back-to-back, customer-specific



Customer-specific design with VL 125 Varioline and cube

Please contact us for detailed information or advice!



HILMA-RÖMHELD GmbH
 Postfach 1220 · D-57260 Hilchenbach
 Phone 02733-281118 · Fax 02733-281169
 info@hilma.de
 www.hilma.de

