



ROEMHELD

B 1.311

Universal Cylinder

double acting, max. operating pressure 400 bar



Application

These cylinders are used as lifting and clamping cylinders in machine and fixture building. They can be inserted in the smooth through-hole and fixed in different levels by means of a locking ring.

Description

Large clamping force range. Radial and axial oil ports. High degree of sealing. Wiper as protection of contamination, swarf, and coolants.

Material

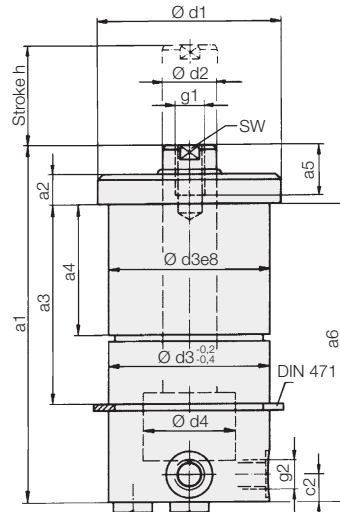
Piston and piston rod one-piece components are hardened and ground. Cylinder of high alloy steel, black oxidized.

Accessories

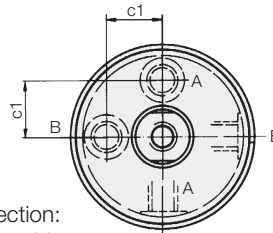
Contact bolts see data sheet G 3.800.

Important notes

Operating conditions, tolerances and other data see data sheet A 0.100.

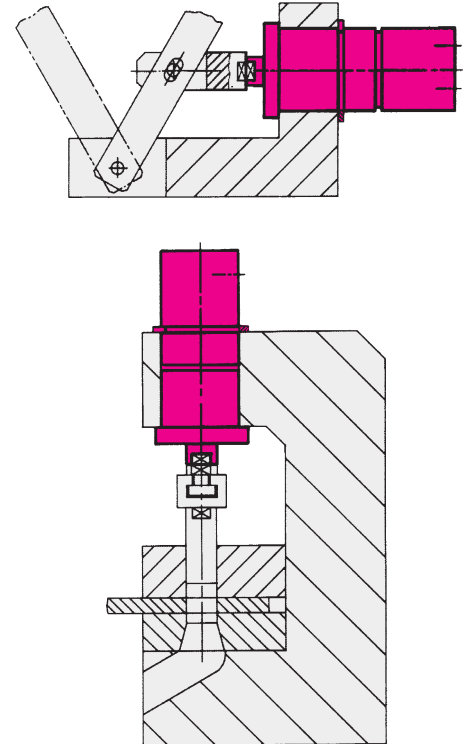


Change plugs in case of axial connection



Oil connection:
A = Piston side
B = Rod size

Application examples



Piston Ø d4	[mm]	25	32	40	50	63
Rod Ø d2	[mm]	14	18	22	28	36
Stroke h	[mm]	32	40	50	64	64
Force to push	100 bar [kN]	4.9	8	12.5	19.6	31.1
at	400 bar [kN]	19.6	32	50	78.4	124.4
Force to pull	100 bar [kN]	3.3	5.5	8.7	13.5	21
at	400 bar [kN]	13.2	22	34.8	54	84
Oil volume per 1 mm piston stroke						
Piston side	[cm³]	0.5	0.8	1.3	2.0	3.1
Rod side	[cm³]	0.4	0.6	0.9	1.4	2.1
a1	[mm]	122	133	147	167	186
a2	[mm]	10	10	12	12	15
a3	[mm]	65.1	70.1	80.1	80.1	100.1
a4	[mm]	45.1	45.1	50.1	50.1	60.1
a5	[mm]	12	16	18	20	20
a6	[mm]	100	110	120	136	150
c1	[mm]	14.5	18	23	28	34
c2	[mm]	12.5	12.5	10.5	10.5	13
Ø d1	[mm]	56	66	76	90	105
Ø d3	[mm]	50	58	68	80	95
g1	[mm]	M 8	M 10	M 12	M 16	M 20
g2		G 1/4	G 1/4	G 1/4	G 1/4	G 3/8
SW	[mm]	11	15	19	24	30
Weight	[kg]	1.7	2.4	3.6	5.7	8.7
Part-no.		5112-303	5112-403	5112-503	5112-603	5112-703

Special versions on request



ROEMHELD

ROEMHELD UK Limited, Moulton Park Business Centre, Redhouse Road, Moulton Park, Northampton NN3 6AQ.
Tel: +44 (0)1604 497665 Fax: +44 (0)1604 497648 Email: sales@roemheld.co.uk Web: www.roemheld.co.uk

Subject to change without notice