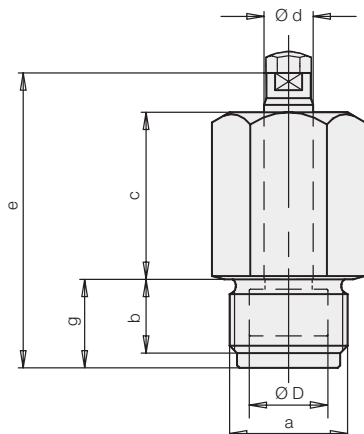
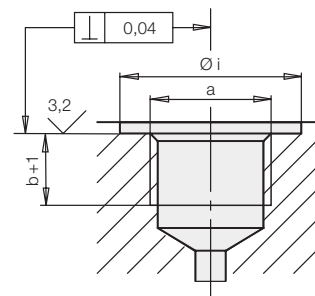




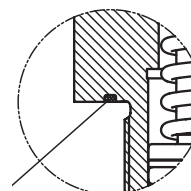
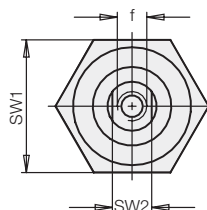
## Threaded-Body Cylinder single acting, spring return, with wiper max. operating pressure 500 bar



### Porting details at fixture



Sealing is attained by a knife edge at cylinder collar, requiring the sealing surface to be square to hole axis and flat.



For piston  $\text{Ø D} = 32 \text{ mm}$  the knife edge will be replaced by a Kantseal joint

### Description

These clamping cylinders may be threaded directly into tapped holes of the fixture.

These compact devices can be used to great advantage in fixtures where space is at a premium.

Hydraulic fluid is supplied through passages drilled into the fixture body, thus eliminating hydraulic hoses and threaded fittings.

The built-in spring returns the piston when hydraulic pressure is released.

The internal threads at the piston rod end accept contact bolts.

Contact bolts see data sheet G 3.800.

### Material

Piston material: casehardening steel, hardened

Cylinder body: free-cutting steel, black oxide

### Important notes

**Threaded-body cylinders must not be subjected to a load in retracted position.**

Operating conditions, tolerances and other data see data sheet A 0.100.

Piston $\text{Ø D}$	[mm]	12	16	25	32
Rod $\text{Ø d}$	[mm]	8	10	16	20
Stroke $\pm 0.5$	[mm]	8	10	10	16
Clamping force at 100 bar	[kN]	1.1	2.0	4.9	8
Clamping force at 500 bar	[kN]	5.6	10.0	24.5	40
Spring return force, min	[N]	32	56	151	183
Oil volume/10 mm stroke	[cm <sup>3</sup> ]	1.13	2.01	4.91	8.04
a	[mm]	M 20x1.5	M 24x1.5	M 36x1.5	M 42x1.5
b	[mm]	12	15	20	25
c	[mm]	25	34	35	40
e $\pm 0.5$	[mm]	46	58	66	75
f x depth of thread	[mm]	M 5 x 10	M 6 x 12	M 10 x 15	M 12x15
g	[mm]	15	18	23	25
$\text{Ø i}$	[mm]	29	33	49	65
SW 1	[mm]	24	27	41	55
SW 2	[mm]	7	8	13	17
Max. seating torque	[Nm]	90	110	130	200
Masse	[kg]	0.16	0.25	0.65	0.92
<b>Part-no.</b>		<b>1450-000</b>	<b>1451-000</b>	<b>1453-000</b>	<b>1454-000</b>

### Application example

