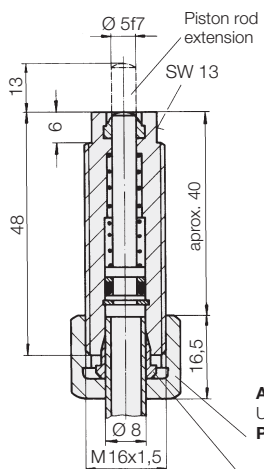


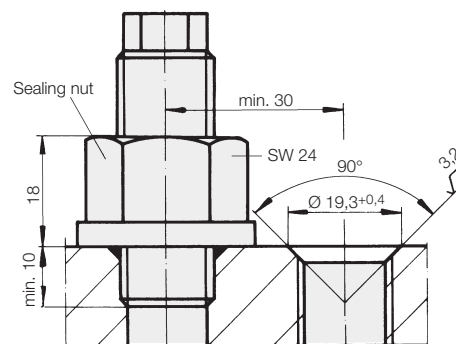


Threaded-Body Cylinder single acting with spring return and wiper max. operating pressure 160 / 500 bar



Accessory:
Union nut m8S
Part-no. 9208-100

Olive s8S
Part-no. 9208-101



Description

These threaded-body cylinders allow direct tube or hose connection.

Due to elimination of the pipe union a particularly compact assembly results. Depending on wall strength and fixing method (thread or bore) a certain adjustment is possible.

The cylinders can also be screwed into threaded bores. Sealing is then effected by the sealing nut available as accessory. By adjustment, workpiece tolerances of more than 20 mm can be absorbed.

Material

Piston material: casehardening steel, hardened
Cylinder body: free-cutting steel

Important notes

Threaded-body cylinders must not be subjected to a load in retracted position.

The cylinder is not suitable for pre-mounting of the cutting ring, since there is no stop for the tube. This pre-assembly has to be made by means of a male connector D8S (9208-102).

Cylinders have to be protected against direct influences of aggressive cutting lubricants and coolants.

Operating conditions, tolerances and other data see data sheet A 0.100.

Piston Ø	[mm]	8
Stroke	[mm]	10
Clamping force at 100 bar	[kN]	0.5
Clamping force at 500 bar	[kN]	2.5
Min. operating pressure	[bar]	5
Oil volume per 10 mm stroke	[cm ³]	0.5
Piston area	[cm ²]	0.5
Spring return force, min.	[N]	15
Weight	[g]	55

Part-no. 1459-001
Part-no. with piston rod extension 1459-011

Version with minimum leakage rate for operating pressure up to 160 bar

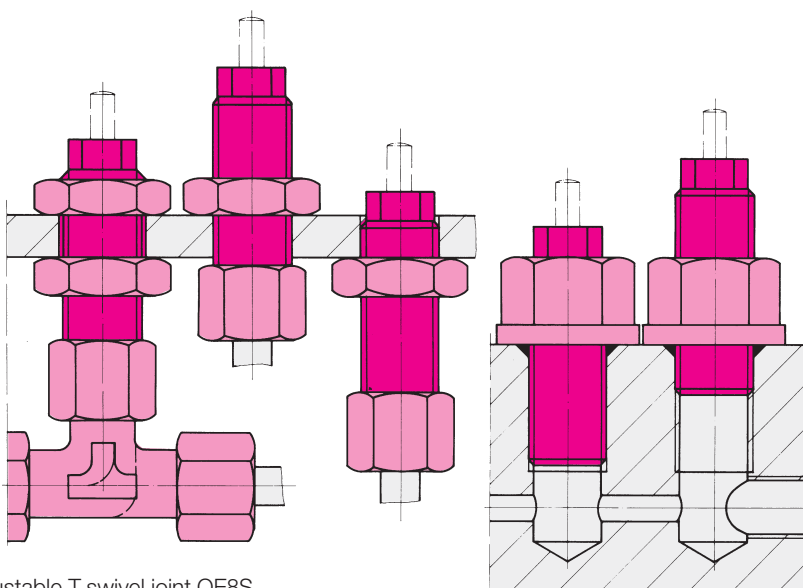
e.g. for applications with many operating cycles

Part-no. 1459-101
Part-no. with piston rod extension 1459-111

Accessories

Connecting possibilities	Operating pressure	
	250* bar	500 bar
Precision steel tube as per DIN 2391 galvanized	8x1 3128-112	8x2 3128-212
High-pressure hose ND 6 (s.sheet F 9.360)	9320-6XX	9370-6XX or 9374-6XX
Seal nut M 16x1.5	3300-407	
Max. seating torque	90 Nm	
Lock nut M 16x1.5 DIN 936	3300-409	

* Tubes and hoses have to be provided with union nuts m8S and olives s8S.



Adjustable T-swivel joint QE8S
Part-no. 9208-035

Adjustable swivel joint KE8S
Part-no. 9208-036