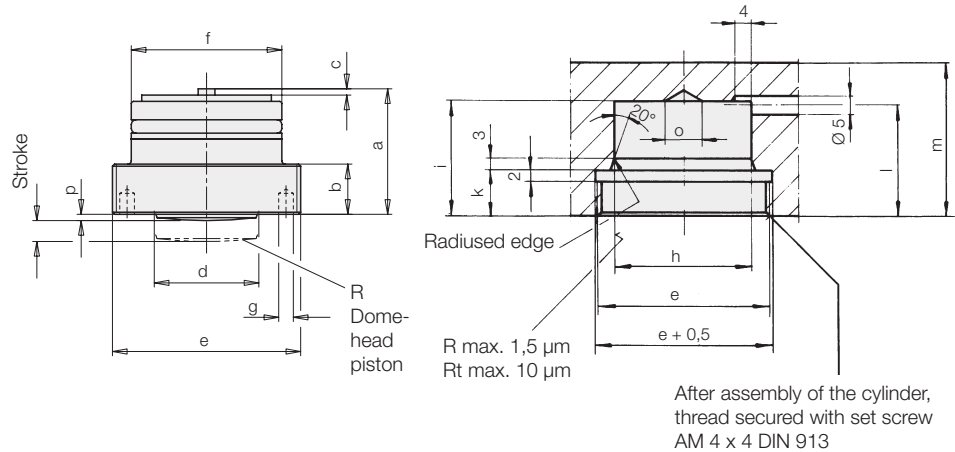
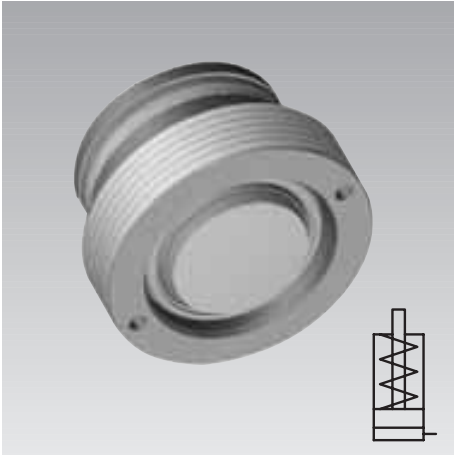




Threaded-Body Cylinder

short stroke, single acting with spring return
max. operating pressure 500 bar



Description

These short threaded-body cylinders are particularly suitable for recessed installation in clamping bars (see installation example). Oil supply is made through drilled channels.

The plunger construction combined with the wiper avoids penetration of contamination and liquids into the spring area.

Advantages

- Three sizes are available
- High clamping forces up to 40 kN
- High force density in clamping bars
- Compact design
- Body completely recessible
- Sturdy plunger construction
- Wiper
- Oil supply without tubes

Important notes

Operating conditions, tolerances and other data see data sheet A 0.100.

Power units see catalogue section „D“.

Piston Ø d	[mm]	20	25	32
Stroke	[mm]	4	4	8
Clamping force at				
100 bar	[kN]	3.1	4.9	8
500 bar	[kN]	15.7	24.5	40.2
Min. operating pressure	[bar]	10	10	10
Max. oil volume	[cm ³]	1.26	1.95	6.43
a	[mm]	26.5	30.5	42
b-0.1	[mm]	10	12	12
c	[mm]	1	1.5	3
e	[mm]	M 38 x 1.5	M 45 x 1.5	M 56 x 1.5
Ø f	[mm]	30	36	44
Ø g	[mm]	2.5	3.5	4
Ø h H7	[mm]	30	36	44
i	[mm]	26	30	41
k+0.2	[mm]	10	12	12
l	[mm]	26	29	39
m	[mm]	36	40	50
o	[mm]	8	10	20
p	[mm]	0.5	1.5	1.5
R	[mm]	80	100	150
Weight	[kg]	0.151	0.251	0.489
Seating torque	[Nm]	100	250	400
Part-no.		1462-610	1463-610	1464-610

Installation example in clamping bars

