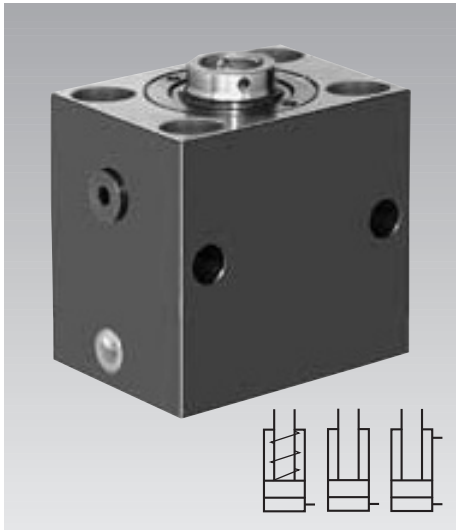


Block Cylinder

single acting with/without spring return, double acting
max. operating pressure 500 bar



Construction with RÖMHELD Block Cylinders

The solution for many manufacturing tasks

The hydraulic block cylinders have been successfully used in thousands of hydraulic workholding applications. Block cylinders are also used as components in the construction of machines and moulds for functions like

Positioning
Clamping
Supporting
Locking

Riveting
Bending
Opening
Closing

Moving
Swivelling
Lifting
Pulling

- **Large force range**
Piston Ø 16 mm and 100 bar 2 kN
Piston Ø 200 mm and 500 bar 1570 kN
- **Large stroke range 8-200 mm**
- **Position monitoring**
– at the rear (see data sheet B 1.552)
– laterally (see data sheet B 1.554)
- **Compact design**
by large force density
- **Sealing with little leakage**
- **Many variants**
and individual adaptation possibilities
- **Special versions**
In cases where it does not seem possible to find a solution with the Römheld standard programme, there are numerous special versions available. Please contact us!
- **Operation of core pullers**

Variants available:
♦ Shorter stroke
♦ Keyway
♦ Internal thread instead of mounting holes in the body

On these data sheets there is the Römheld Block Cylinder Programme

