

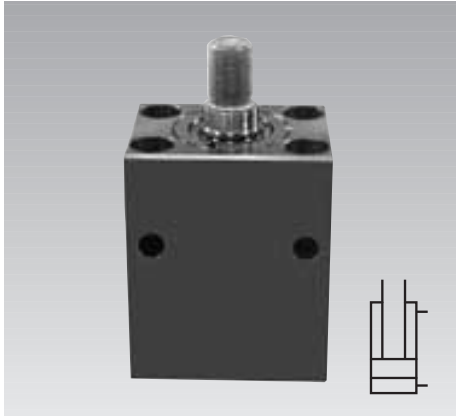


ROEMHELD

B 1.542

Block Cylinder

double acting, piston rod with outer thread
max. operating pressure 500 bar



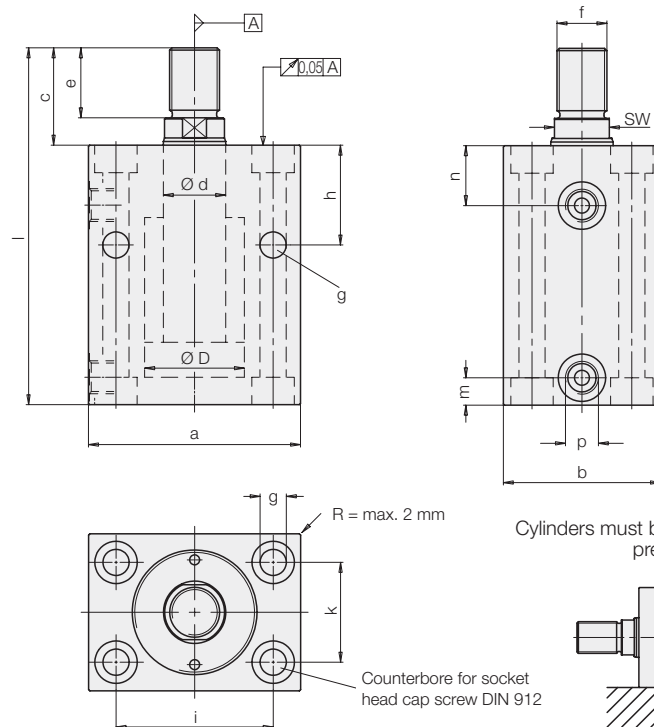
Tolerances for length and angle dimensions as per DIN 7168-m.

Material

Piston material: casehardening steel
Cylinder body: high alloy steel

Important notes

Operating conditions, tolerances and other data see data sheet A 0.100.



Variants available:

- ◆ Shorter stroke
- ◆ Keyway
- ◆ Internal thread instead of mounting holes in the body
- ◆ Manifold mounting with O-ring sealing (see B 1.509 page 4)

Piston Ø D	[mm]	25	32	40	50	63
Rod Ø d	[mm]	16	20	25	32	40
Stroke ±1	[mm]	50	50	50	50	63
Force to push at	100 bar [kN]	4.9	8.0	12.6	19.5	31.2
	500 bar [kN]	24.5	40.2	62.8	98.5	155.9
Force to pull at	100 bar [kN]	2.9	4.9	7.7	11.6	18.6
	500 bar [kN]	14.5	24.5	38.3	57.9	93
Required oil per 10 mm stroke						
	Stroke to extend [cm³]	4.91	8.05	12.56	19.63	31.17
	Stroke to retract [cm³]	2.9	4.9	7.66	11.59	18.61
a	[mm]	65	75	85	100	125
b	[mm]	45	55	63	75	95
c	[mm]	26	33	39	47	63
e	[mm]	18	22	28	36	45
f	[mm]	M 14x1.5	M 16x1.5	M 20x1.5	M 27x2	M 33x2
g	[mm]	8.5	10.5	10.5	13	17
h	[mm]	33	38	40	44	50
i	[mm]	50	55	63	76	95
k	[mm]	30	35	40	45	65
l	[mm]	120	133	143	162	198
m	[mm]	11	11	11	13	17
n	[mm]	18	22	24	27	26
p		G 1/4	G 1/4	G 1/4	G 1/4	G 1/2
SW	[mm]	13	17	22	27	36
Weight	[kg]	2.0	2.8	3.7	5.4	8.2
Part-no.		1543-265	1544-265	1545-265	1546-265	1547-275
Part-no. with VITON®*		1543-266	1544-266	1545-266	1546-266	1547-276

* VITON® seals for temperatures over 100 °C up to max. 150 °C


ROEMHELD

ROEMHELD UK Limited, Moulton Park Business Centre, Redhouse Road, Moulton Park, Northampton NN3 6AQ.
Tel: +44 (0)1604 497665 Fax: +44 (0)1604 497648 Email: sales@roemheld.co.uk Web: www.roemheld.co.uk

Subject to change without notice