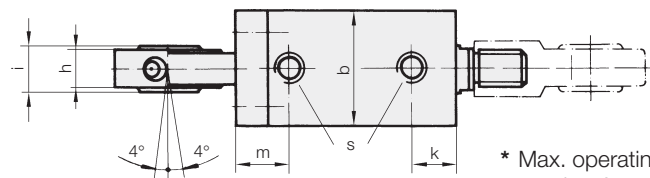
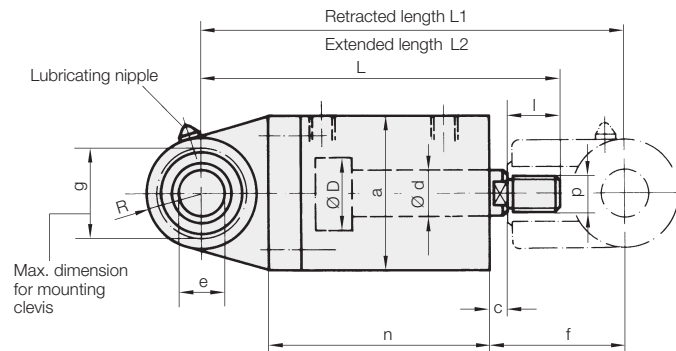
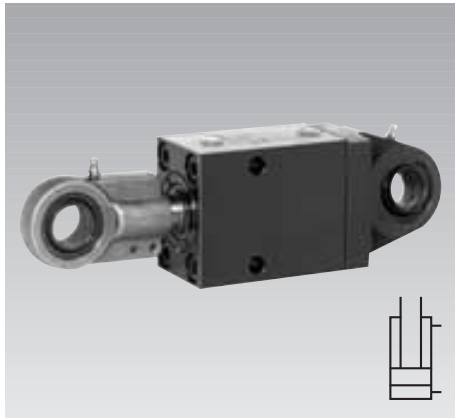


ROEMHELD

B 1.550

Block Cylinder double acting, spherical bearing eye mounting max. operating pressure 500 bar*



* Max. operating pressure:
500 bar for static loading
250 bar for dynamic loading

Installation

Clevis pin fit to be m6 (DIN). Exceptionally, f7 may be used for a case-hardened pin with lubrication through the pin.

Spherical bearing eye must be seated against the piston rod shoulder before tightening of locking screws.

Service life

Service life of the spherical bearing eye is dependent upon specific bearing load, load direction, angle of rotation, tilt angle, and lubrication.

Adequate service life will be obtained under normal operating conditions.

In the case of doubts, please contact us.

Material

Piston material: case-hardening steel

Cylinder body: free cutting steel

Important notes

Operating conditions, tolerances and other data see data sheet A 0.100.

Accessory

Spherical bearing eye

Piston Ø D	[mm]	25	32	40	50	63
Rod Ø d	[mm]	16	20	25	32	40
Stroke ±1	[mm]	50	50	50	50	63
Force to push at	100 bar [kN]	4.9	8.0	12.6	19.6	31.2
	500 bar [kN]	24.5	40.2	62.8	98.5	155.9
Force to pull at	100 bar [kN]	2.9	4.9	7.7	11.6	18.6
	500 bar [kN]	14.5	24.5	38.3	57.9	93
Required oil per 10 mm stroke						
	Stroke to extend [cm³]	4.91	8.05	12.56	19.63	31.17
	Stroke to retract [cm³]	2.9	4.9	7.66	11.59	18.61
a	[mm]	65	75	85	100	125
b	[mm]	45	55	63	75	95
c	[mm]	8	11	11	11	18
Ø e H7	[mm]	16	20	25	32	40
f	[mm]	52	63	76	91	115
g	[mm]	32	40	50	62	80
h	[mm]	13	17	21	27	32
i	[mm]	16	20	25	32	40
k	[mm]	18	22	24	27	26
l	[mm]	18	22	28	36	45
m	[mm]	23	23	29	33	42
n	[mm]	106	112	122	135	160
o	[mm]	21	25	30	38	47
p	[mm]	M 14x1.5	M 16x1.5	M 20x1.5	M 27x2	M 33x2
r	[mm]	44	52	65	80	97
s		G 1/4	G 1/4	G 1/4	G 1/4	G 1/2
Cylinder length L	[mm]	157	175	198	227	278
Retracted length L1	[mm]	183	205	235	271	330
Extended length L2	[mm]	233	255	285	321	393
R	[mm]	20	23.5	29	35	44.5
Weight	[kg]	2.5	3.8	5.7	8.0	11.4

Part-no. Cylinder 1553-160 1554-160 1555-160 1556-160 1557-170

Part-no. Cylinder with VITON®* 1553-161 1554-161 1555-161 1556-161 1557-171

Part-no. Spherical bearing eye 3890-012 3890-017 3890-014 3890-018 3890-025

*VITON®, seals for temperatures over 100 °C up to max. 150 °C

