



## Pull-Type Cylinder single acting with spring return max. operating pressure 500 bar



Tolerances for length and angle dimensions as per DIN 7168-m

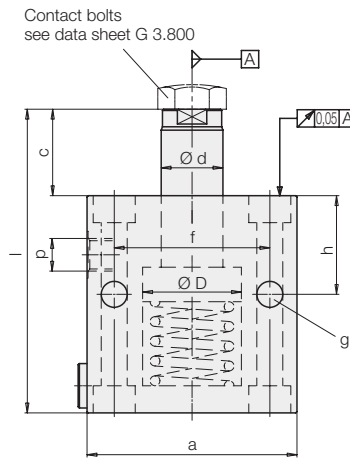
### Material

Piston material: case-hardening steel, hardened  
Cylinder body: high alloy steel or GGG-40

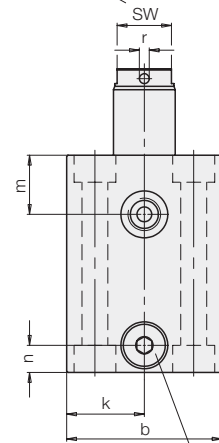
### Important notes

If there is a possibility that aggressive cutting lubricants and coolants penetrate through the sintered metal air filter into the cylinder's interior, a vent hose has to be connected and be placed in a protected position.

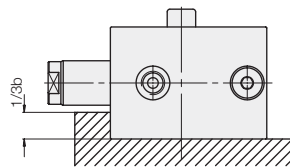
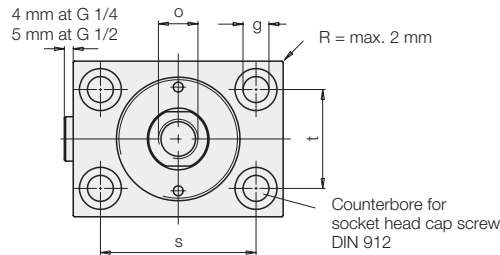
Operating conditions, tolerances and other data see data sheet A 0.100.



only for Typ 1571-, 1573- and 1574-105



Bleeding by plug with sintered metal air filter



Cylinders must be supported at the front for operating pressures exceeding 250 bar

Piston Ø D	[mm]	16	25	32	40	50	63	80	100	
Rod Ø d	[mm]	10	16	20	25	32	40	50	63	
Force to pull at	100 bar	[kN]	1.1	2.7	4.6	7.3	11.0	17.9	29.2	45.6
	500 bar	[kN]	6.0	14.3	24.2	27.9	57.3	92.3	151.8	235.0
Spring return force, min.	[N]	40	140	195	270	440	430	760	1200	
Oil volume per 10 mm stroke	[cm <sup>3</sup> ]	1.22	2.9	4.9	7.65	11.6	18.6	30.63	47.36	
a	[mm]	60	65	75	85	100	125	160	200	
b	[mm]	35	45	55	63	75	95	120	150	
c	[mm]	22	27	35	35	35	44	46	55	
f	[mm]	30	50	55	63	76	95	120	158	
g	[mm]	6.5	8.5	10.5	10.5	13	17	21	25	
h	[mm]	30	33	38	40	44	50	60	64	
k	[mm]	17.5	22.5	27.5	31.5	37.5	47.5	60	75	
m	[mm]	16.5	18	22	24	27	26	34	35	
n	[mm]	11	11	11	11	13	17	21	25	
o x depth of thread	[mm]	M 6x12	M 10x15	M 12x15	M 16x25	M 20x25	M 27x40	M 30x40	M 42x60	
p	[mm]	G 1/4	G 1/4	G 1/4	G 1/4	G 1/4	G 1/2	G 1/2	G 1/2	
r	[mm]	-	-	-	4	4	4	5	6	
s	[mm]	40	50	55	63	76	95	120	158	
t	[mm]	22	30	35	40	45	65	80	108	
SW	[mm]	8	13	17	-	-	-	-	-	
Stroke ± 1	[mm]	8	8	10	10	12	12	12	12	
l ± 1	[mm]	78	91	110	114	125	146	165	185	
Weight	[kg]	0.8	1.2	1.8	2.6	3.8	6.7	12.8	24	
Temp. up to 100 °C	<b>Part-no.</b>	<b>1571-105</b>	<b>1573-105</b>	<b>1574-105</b>	<b>1575-105</b>	<b>1576-105</b>	<b>1577-105</b>	<b>1578-105</b>	<b>1579-105</b>	
Temp. up to 150 °C (VITON®)	<b>Part-no.</b>	<b>1571-106</b>	<b>1573-106</b>	<b>1574-106</b>	<b>1575-106</b>	<b>1576-106</b>	<b>1577-106</b>	<b>1578-106</b>	<b>1579-106</b>	

