



## Work Supports contact by spring force or air pressure max. operating pressure 500 bar



### Application

Hydraulic work supports are used to provide a self-adjusting rest for the workpiece during the machining operations. They compensate the workpiece surface irregularities, also deflection and vibration under machining loads.

### Installation

The universal block cylinder shape allows vertical and horizontal mounting, with oil feed via normal pipe connection or by manifold mounting direct to the fixture through drilled channels in the fixture body.

### Function

Hydraulic locking is made together with hydraulic clamping of the workpiece, or independently. The support plunger is provided with female thread to enable the use of threaded pieces for height adjustment.

### There are three variations of plunger actuation:

- 1. Spring advanced;** plunger extended in off-position
- 2. Air pressure advanced;** without spring return
- 3. Air pressure advanced;** with spring return

The pneumatically-actuated plunger allows precise setting of the plunger contact force by means of a pressure reducing valve. If a danger exists of sucking fluids through the pneumatic port, on the spring-advanced unit, a vent hose should be connected.

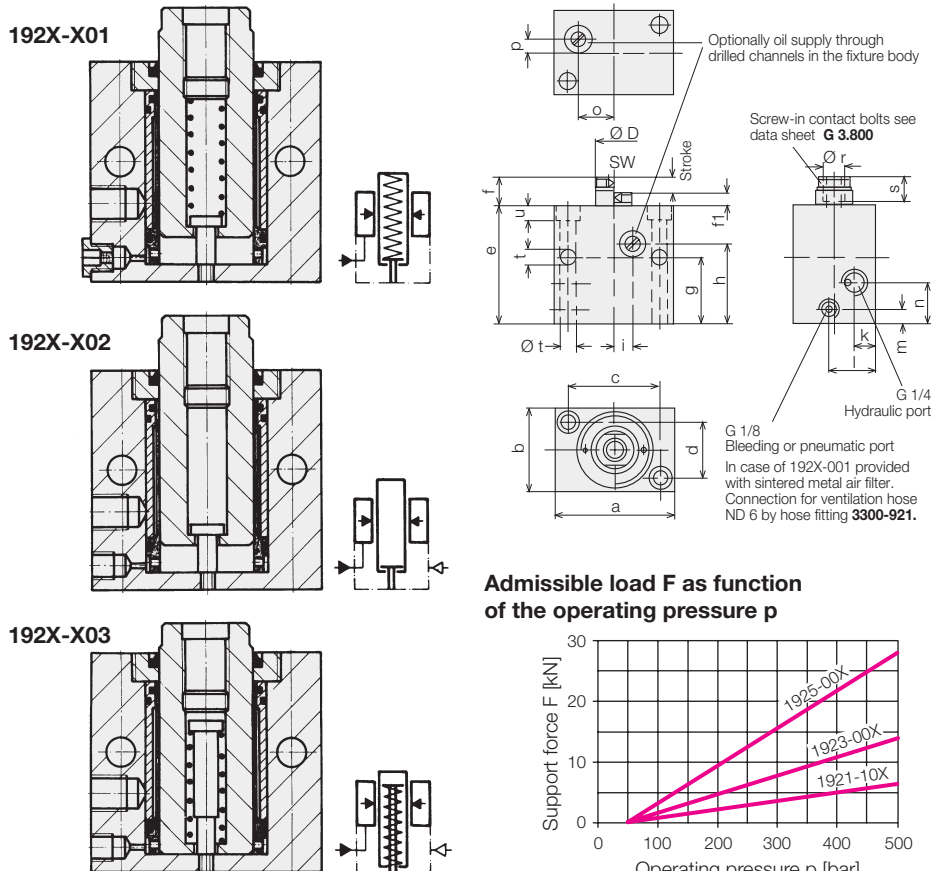
### Accessory

Screw-in contact bolts see data sheet G 3.800

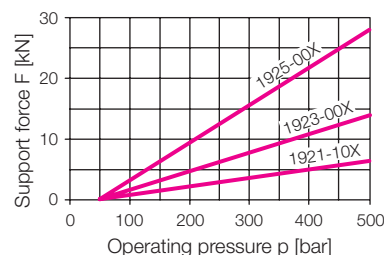
### Note

Operating conditions, tolerances and other data see data sheet A 0.100.

Teflon wiper for high loads available on request



### Admissible load F as function of the operating pressure p



Plunger Ø D	[mm]	16	20	35
Stroke	[mm]	6	8	10
Support force at 500 bar	[kN]	7	12.5	28
Spring force min.	[N]	8	13.5	19.2
Spring force max.	[N]	10	17	24
Plunger contact force at 1 bar air pressure (deduct spring force if necessary)	[N]	20.1	31.4	96.2
Recom. min. oil pressure	[bar]	100	100	100
a	[mm]	60	65	85
b	[mm]	35	45	63
c	[mm]	40	50	63
d	[mm]	22	30	40
e	[mm]	56	64	79
f	[mm]	12	15	20
f1	[mm]	6	7	10
g	[mm]	26	36	39
h	[mm]	36	43	52
i	[mm]	7	10	12
k	[mm]	12.5	11.5	20.5
l	[mm]	17.5	25.5	39.5
m	[mm]	8.5	8	8
n	[mm]	38	22	25
o	[mm]	14.5	19	25
p	[mm]	5	7	11
Ø r	[mm]	M 10	M 12	M 16
s	[mm]	13	14	24
Ø t	[mm]	6.5	8.5	10.5
u	[mm]	6	8	10
SW	[mm]	13	17	27
Weight	[kg]	0.8	1.2	2.6

<b>Part-no.</b>				
<b>Extended by</b>	Spring force	<b>1921-101</b>	<b>1923-001</b>	<b>1925-001</b>
	Air pressure	<b>1921-102</b>	<b>1923-002</b>	<b>1925-002</b>
	Air pressure with spring return	<b>1921-103</b>	<b>1923-003</b>	<b>1925-003</b>
<b>Accessories</b>	Screw plug G 1/4	<b>3610-006</b>	<b>3610-006</b>	<b>3610-006</b>
	O-ring 10 x 2	<b>3000-347</b>	<b>3000-347</b>	<b>3000-347</b>
	Spare seal ring	<b>3000-563</b>	<b>3000-563</b>	<b>3000-563</b>

