



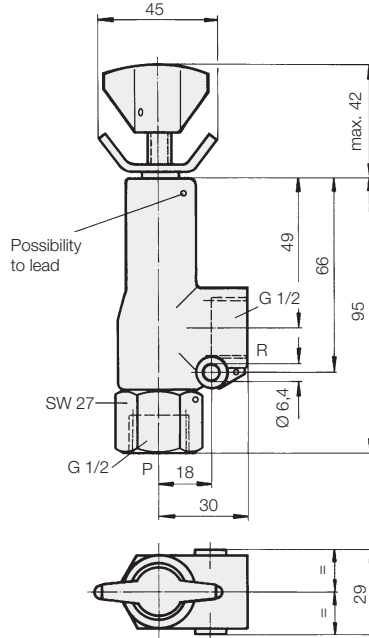
## Pressure Relief Valve Pressure Reducing Valve with Check Valve



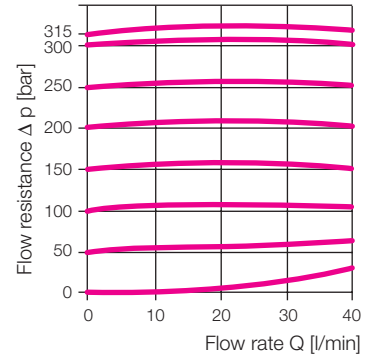
### Pressure relief valve

Protection against exceeding the max. operating pressure of the fixture (safety valve) or limiting of working pressures.

|                  |                                   |
|------------------|-----------------------------------|
| Type             | Poppet valve, directly controlled |
| Type of mounting | Installation in line              |
| Port size        | G 1/2                             |



Δ p-Q- curves



Oil viscosity during measurement 50 mm<sup>2</sup>/s

### Hydraulic characteristics

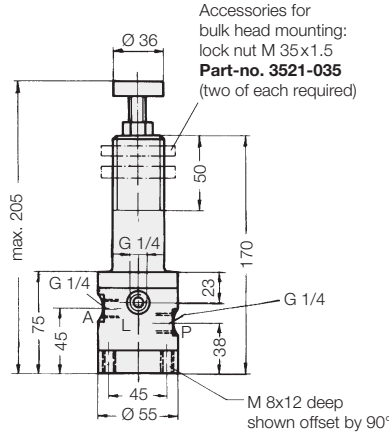
|                             |                      |
|-----------------------------|----------------------|
| Range of operating pressure | $p_e = 0-500$ bar    |
| Range of adjustment         | $p_v = 0-500$ bar    |
| Adm. pressure               | $P = 500$ bar        |
|                             | $R = 20$ bar         |
| Flow rate                   | $Q_{max} = 40$ l/min |
| Weight [kg]                 | 0.3                  |
| <b>Part-no.</b>             | <b>2952-521</b>      |



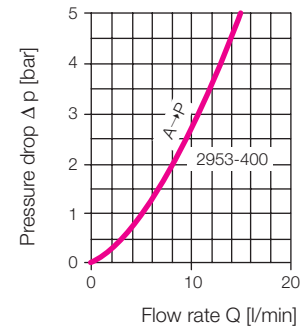
### Pressure reducing valve with check valve

|                  |                                    |
|------------------|------------------------------------|
| Type             | Spool valve                        |
| Type of mounting | In-line pipe or bulk head mounting |
| Port size        | G 1/4                              |

### ND 5



Δ p-Q-curve for kinematic viscosity of  $36 \times 10^{-6}$  m<sup>2</sup>/s (HLP 46 at 50 °C)



### Hydraulic characteristics

|                             |  |
|-----------------------------|--|
| Range of operating pressure | $p_e = 0-200$ bar  |
| Range of adjustment         | $p_v = 10-150$ bar   |
| Leakage rate                | approx. 0.5 cm <sup>3</sup> /s at 2953-400 (Measured with hydraulic oil HLP 46 at 50 °C and pressure set at 100 bar) |
| Weight [kg]                 | 1.7  |
| <b>Part-no.</b>             | <b>2953-400</b>  |

